

proxy

User Manual and Installation Guide

Proxy Mobile Reader Edge

www.proxy.com | support@proxy.com

Contacts

Proxy, Inc.
San Francisco (Global Headquarters)
500 3rd Street #245
San Francisco, CA 94107
USA

Proxy offices around the world: [Proxy Offices](#)

Proxy Technical Support: [Welcome to Proxy Support](#)

Table of Contents

Introduction	4
Reader	4
Functionality	4
Proxy Mobile Reader Edge Main Housing	4
Proxy Mobile Reader Edge Relay Housing	6
Product Details	7
RF Exposure Information	7
Product Specifications	8
Installation Details	8
Parts List	8
Recommended Infrastructure	8
Wiring Harness Information	9
Cable colors for Main Housing [5 Core Grey]	9
Cable colors for Relay Housing [5 Core Grey]	9
Cable colors for Relay Housing [8 Core Black]	9
Mounting the Reader	10
Location of mounting holes on wall	10
Reader Installation Steps	12
Wiring Diagrams and Steps	13
Door Contacts	14
Power up and Testing	14
Install Troubleshooting	14
Warranty	16
Certifications	16

Introduction

This document details the Proxy Mobile Reader Edge and its basic operational and installation procedures. It covers the details of the Proxy Mobile Reader Edge form-factor.

Model:
Proxy Mobile Reader Edge (Black)

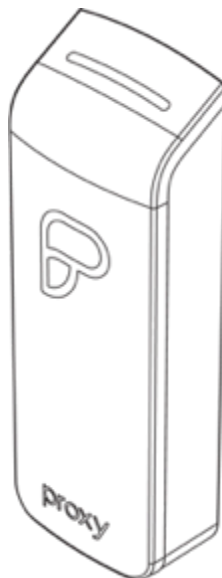
The product comes in one variant in functionality: Standard BLE IEEE 802.11b/g/n

Reader

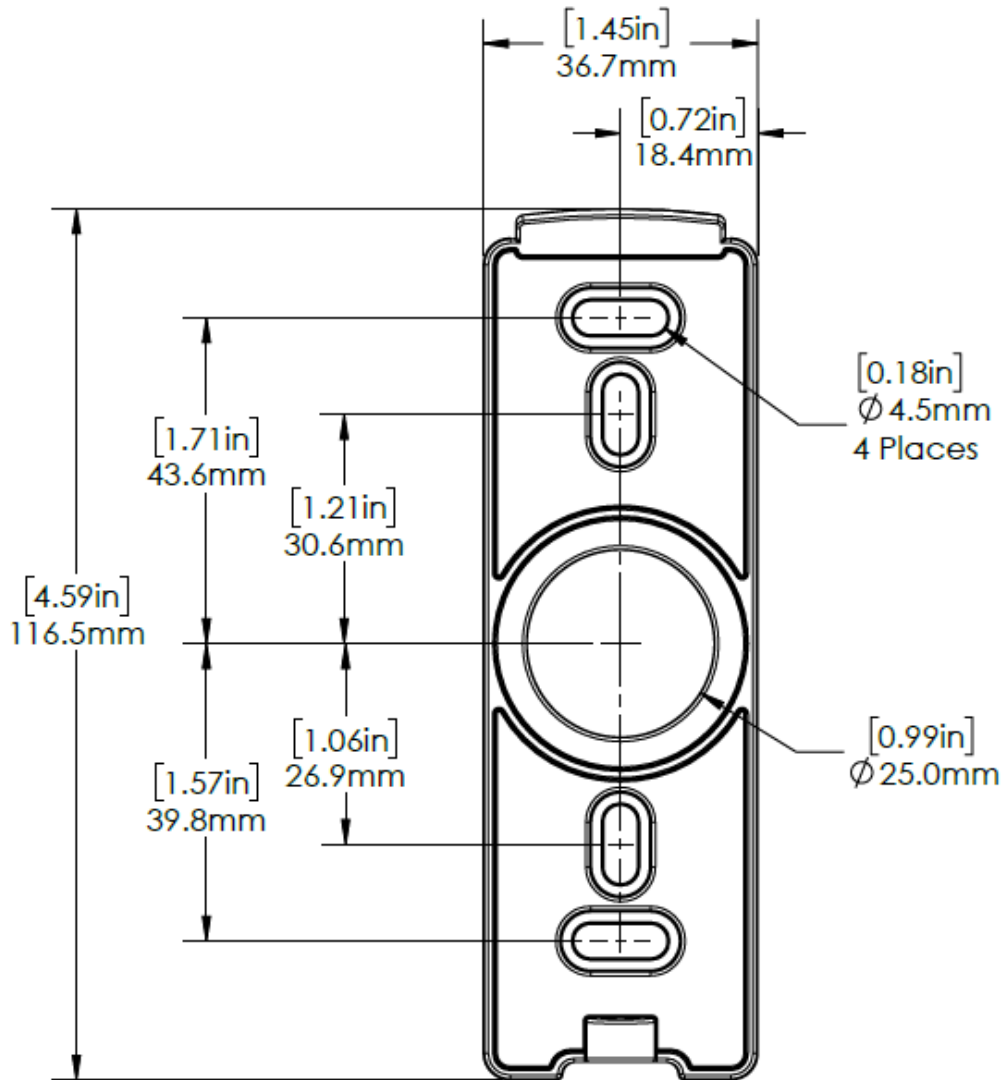
Functionality

Proxy Mobile Reader Edge is a standalone physical access control wireless mobile credential reader that provides contactless credentials over BLE. The reader interfaces directly with electrified door hardware to allow direct access to a single point of entry. The reader consists of the following main parts.

Proxy Mobile Reader Edge Main Housing

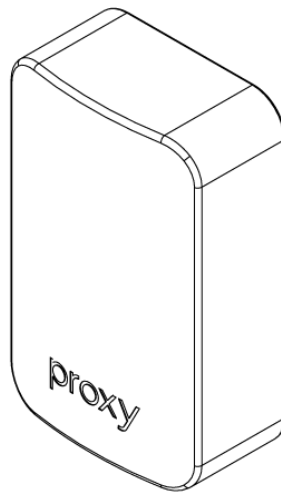


Proxy Mobile Reader Edge Main Housing Wall Plate

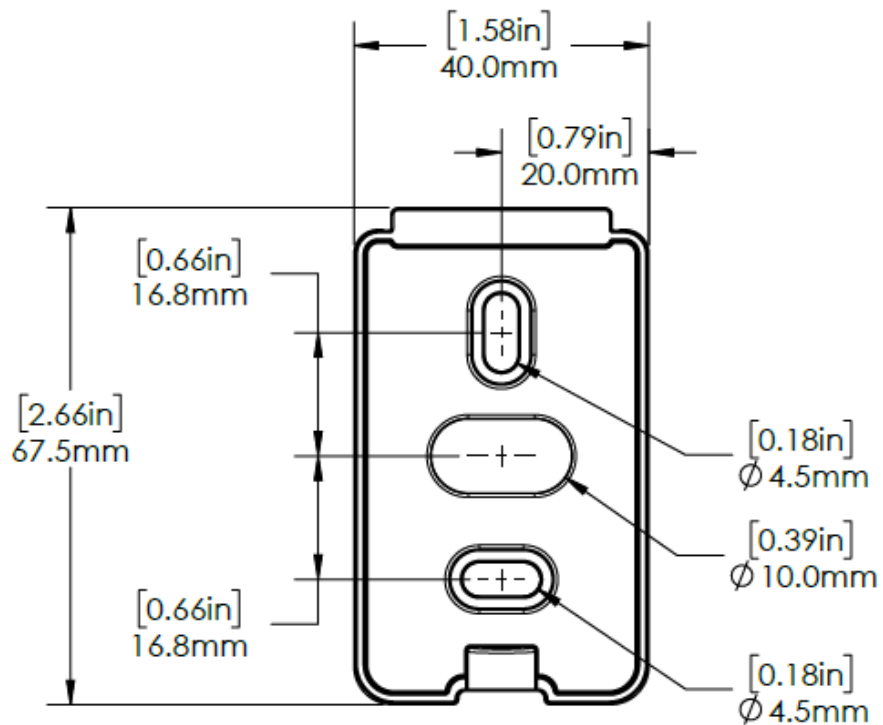


Dimension in millimeters (mm) & inches (in)

Proxy Mobile Reader Edge Relay Housing



Proxy Mobile Reader Edge Relay Wall Plate



Dimensions in millimeters (mm) & inches (in)

Product Details

Model Name:	Proxy Mobile Reader Edge
Device Type:	Mobile Credential: BLE (2.4GHz) Physical Access Control Reader (accessory equipment)
Type of Equipment:	Sealed Reader Unsealed Relay Suitable for Indoor use
Interface Type:	Pigtail Cable Main Housing [5 Core Grey] Pigtail Relay Housing [5 Core Grey, 8 Core Black]
Electrical Rating:	6V - 30V DC, 500mA, 12V (recommended), 6W (max)
Relay Rating:	30V 2.5A continuous, 5A peak
Communication Protocol:	BLE, IEEE 802.11b/g/n*, UART**
Credential Type:	Proxy Mobile Credential
Credential Transmission Technology:	BLE (2.4GHz)
Dimensions (Main Housing):	128.3 mm x 44.7 mm x 24.6 mm (H x L x W)
Dimensions (Relay Housing):	72 mm x 44.5 mm x 23.9 mm (H x L x W)
Product Weight:	308 g

* IEEE 802.11b/g/n communications are not required for operation, and are used for non-critical functions (firmware updates, telemetry).

** Tested in lab conditions up to 115Kbaud.

RF Exposure Information

This device has been tested and meets applicable limits for Radio Frequency (RF) exposure. This equipment should be installed and operated with minimum distance 20 cm between the radiator and your body.

Product Specifications

Model	Operating Voltage	Current Rating	Operating Temp.
Proxy Mobile Reader Edge BLE IEEE 802.11b/g/n	6V - 30V DC	500mA @ 12V	-35C to +66C, 85% RH

Note: The Standby Power level is dependent on the external power source connected to the Proxy Mobile Reader Edge.

Installation Details

Wiring methods shall be in accordance with the National Electrical Code (ANSI/NFPA70), local codes, and the authorities having jurisdiction.

Parts List

- Proxy Mobile Reader Edge – 1
- Proxy Mobile Reader Relay – 1
- Mounting Screws (A) – #6-32 x 1" – 4 Nos
- Security Screw (B) – #6-32 x 3/8" – 2 Nos
- Nylon anchor plugs – #6 x 1" – 4 Nos

Recommended Infrastructure

- All cabling and wiring shall be UL Listed and/or UL Recognized
- Recommended 22AWG Shielded cable (ALPHA WIRE, P/N 1299/10C)

Wiring Harness Information

Cable colors for Main Housing [5 Core Grey]

Name	Colors	Colors	Sheath Color
UART TX	Green		
UART RX	White		
5V	Red		
3V3	Yellow		
GND	Black		

Cable colors for Relay Housing [5 Core Grey]

Name	Colors	Colors	Sheath Color
UART RX	Green		
UART TX	White		
5V	Red		
3V3	Yellow		
GND	Black		

Cable colors for Relay Housing [8 Core Black]

Name	Colors	Colors	Sheath Color
PWR	Red		
GND	Black		
Strike +	Green		
Strike -	White		
Rex +	Brown		
Rex -	Blue		
DPS +	Grey		
DPS -	Grey		

** For Wiring diagrams and termination points please see the full installation manual available on our website. Installations will differ between electronic strike manufacturers and applications.

** All wires not being used should be terminated.

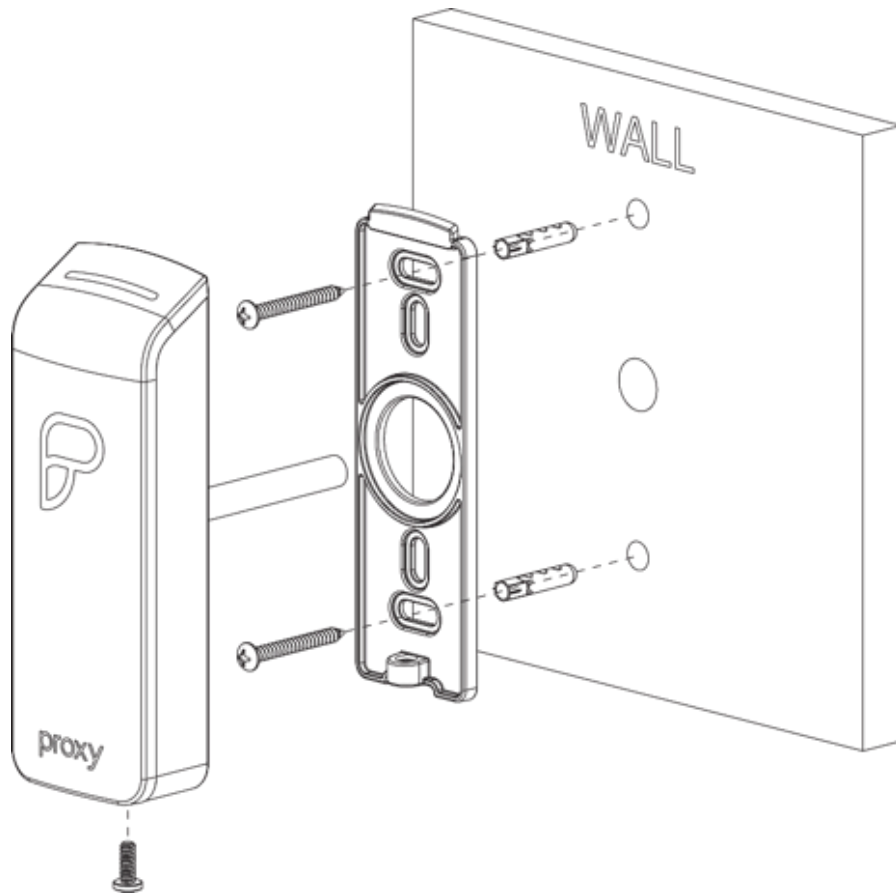
** Refer to online documentation for operation of DPS + and DPS -.

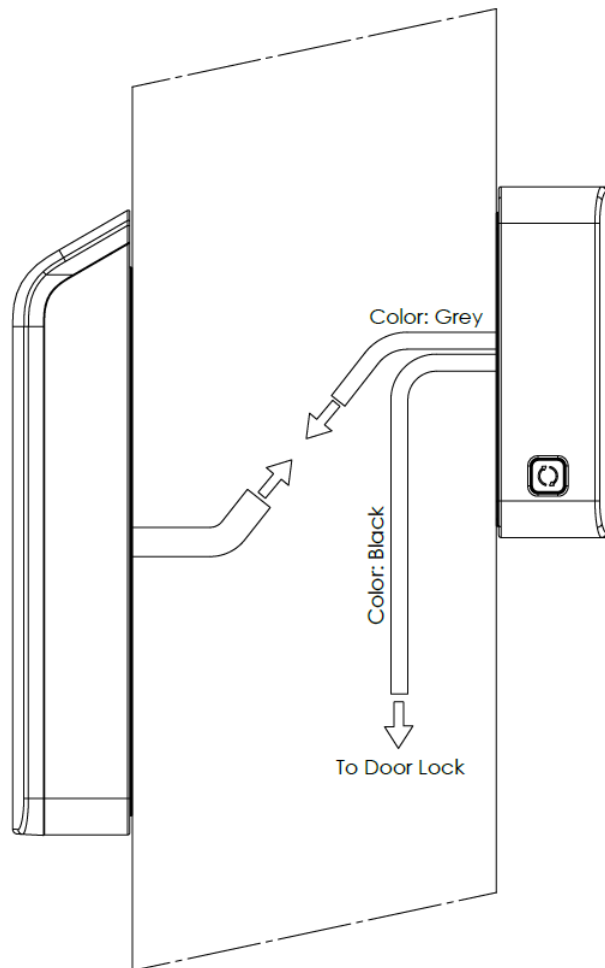
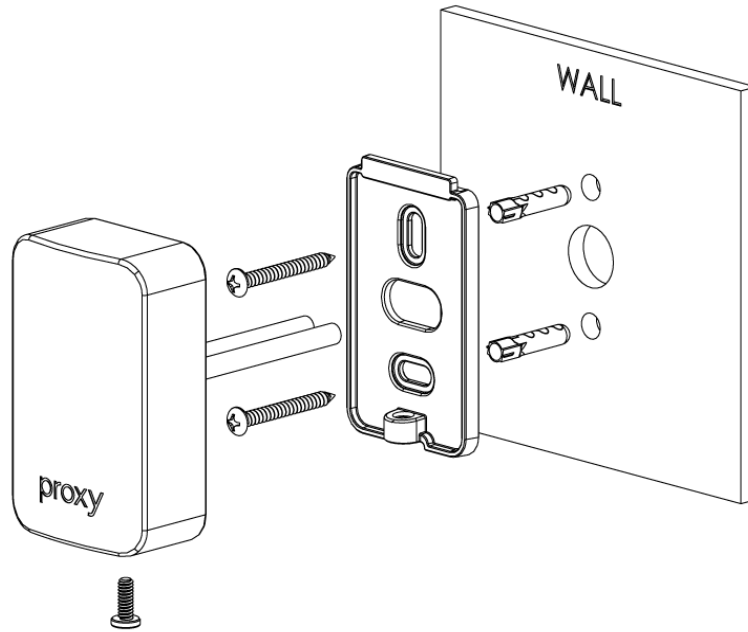
Caution:

During wiring make sure that the PWD, 5V, and 3V3 lines (red or yellow) do not make contact with any other wires, as it might affect product functionality and cause damage to the product.

Mounting the Reader

Location of mounting holes on wall



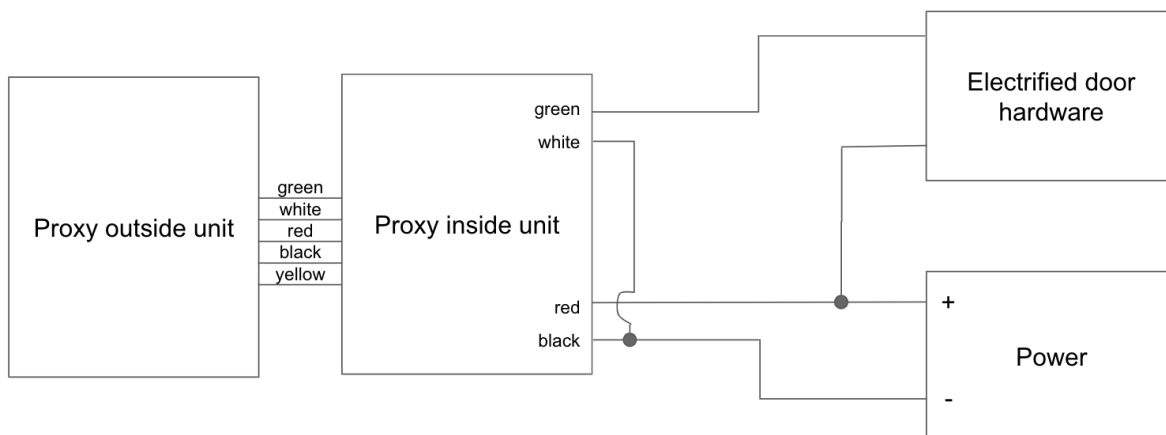


Reader Installation Steps

- Make two holes on the wall as per the image above corresponding to the type of reader.
 - Main housing on the unsecured side (outside of the door frame)
 - Relay housing on the secured side (inside of the door frame)
- Insert the nylon screw plugs into the wall.
- Connect the wires as per the tables in Section 5.4.3
 - Note: Cables with the grey sheath [5 Core Grey] are to be connected color to color
- Proxy Mobile Reader Edge main and relay housing wall plates are to be secured onto the wall using the mounting screws (A)
- Install the main and relay housings onto respective wall plates
- Secure the main and relay housings to the wall plates using security screws (B)

Wiring Diagrams and Steps

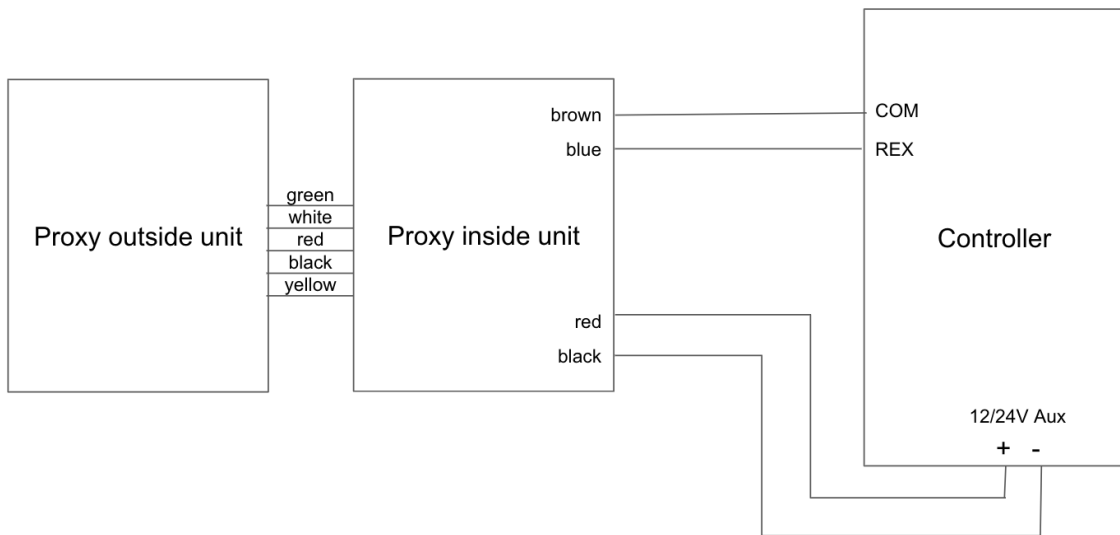
Connect to Door Hardware



Step 1:	Connect the 5 wires from the Main Housing (outside) unit to the 5 wires from the Relay Housing (inside) unit based on corresponding colors
Step 2:	Crimp the positive (red) wire from the power source to the red wire of the Relay Housing (inside) unit and to one of the wires from the strike

Step 3:	Crimp the ground (black) wire from the power source to the black wire of the Relay Housing (inside) unit and to the white wire of the Relay Housing (inside)
Step 4:	Crimp the green wire from the Relay Housing (inside) unit to the remaining strike wire

Connect to Access Controller



Step 1:	Connect the 5 wires from the Main Housing (outside) unit to the 5 wires from the Relay Housing (inside) unit based on corresponding colors
Step 2:	Connect the brown and blue wires of the Relay Housing (inside) unit to the two wires from the REX input of the access controller
Step 3:	Connect the black (GND) and red (PWR) wires to a power source (this could be provided by the controller) equivalent to what is needed to power the electrified lock

Door Contacts

The DPS+ and DPS- lines are intended for use with door contacts.

Power up and Testing

1) Turn power on

- Indicator light (top of housing) turns on and blinks red
- Branding light (front of housing) turns on (Proxy Logo Displayed)

2) Present a phone with Proxy ID App installed and enabled

- Access Granted: Indicator light blinks green and a short beep is emitted
- Access Denied: Indicator light blinks red and a double short beep is emitted

This is the default reader behavior.

Install Troubleshooting

Possible Symptoms	Likely issue	How to resolve
Reader		
Logo is not illuminated	Power supply is disconnected or not supplying enough voltage	Either wiring at the reader or at the power supply has been disconnected. Double-check both connections to bring the reader back online.
Reader is constantly rebooting (turns on, beeps, turns off)	Power supply is disconnected or not supplying enough voltage	Either wiring at the reader or at the power supply has been disconnected. Double-check both connections to bring the reader back online.
	Reader is power cycling	Try resetting the reader in the Proxy Device Manager app. If this does not resolve the issue please email support@proxy.com to escalate.
Logo is purple, cycling clockwise	Reader is in the process of updating or connecting to Wi-Fi. Usual timings:	Wait up to five minutes, the reader will return to normal once the task is complete.

	<ul style="list-style-type: none"> • Enabling and connecting Wi-Fi (20-30 seconds) • Updating Software (10-20 seconds) • Updating Firmware (up to 5 mins) 	Note: the door can still be accessed when the reader is busy. The indicator won't flash, but the reader will still beep to indicate access.
Logo is still purple after giving plenty of time for update	Update issue	Try resetting the reader in the Proxy Device Manager app. If this does not work, try manually resetting the reader by disconnecting and reconnecting the black and red wires. If this does not resolve the issue please email support@proxy.com to escalate.
Indicator LED flashing red continuously	Hardware issue	Power-cycling the reader will likely resolve this issue. Contact support@proxy.com if it does not, or if this happens with any frequency.
Indicator LED cycling white	This behavior is NOT indicative of an issue but you might see it during the reader setup process	The reader is detecting the presence of a Proxy-enabled mobile user. The white LED will stop cycling on its own.
Issues Unlocking		
Reader does not acknowledge phone	Permissions issue	Be sure the user has been granted access through the Proxy Dashboard. Users need to be added to the org, as well as relevant groups. All groups need to be associated with access points in order to allow ingress.
	Bluetooth issue	Be sure that Bluetooth is enabled on the mobile phone. If it is, toggle airplane mode to disconnect all existing Bluetooth connections and reconnect it for a strong connection.
Indicator LED flashes red	Do not have permission to access that reader	Ensure that the user in question has the correct permissions within the Proxy Dashboard. Users need to be added to the org, as well as relevant groups, and all groups need to be associated with access points in order to allow ingress.

Have to open the Proxy ID app to get the reader to unlock

Geo-fence / locations issue

Be sure location services are always enabled if a user is terminating the Proxy ID app between uses. If a user prefers to keep location services turned off, they will need to open the Proxy ID app in order to unlock a Proxy reader every time, unless they do not ever terminate the Proxy ID app.

Warranty

Warranty information is available [here](#).

Certifications

